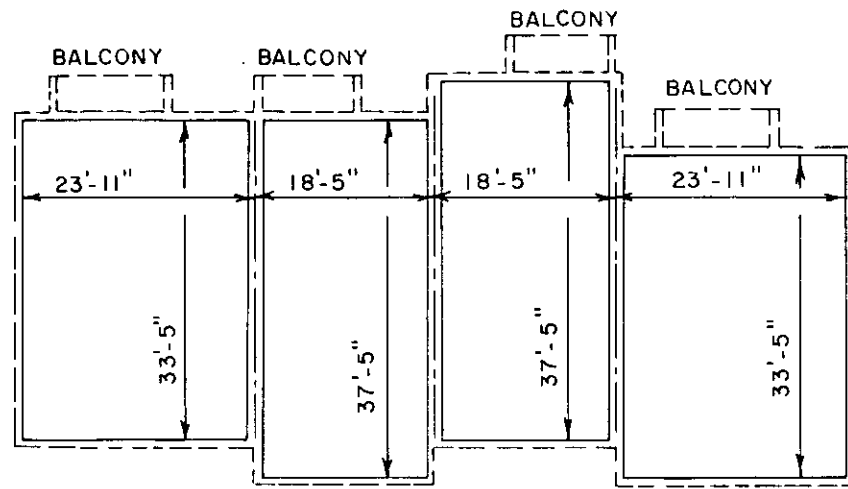
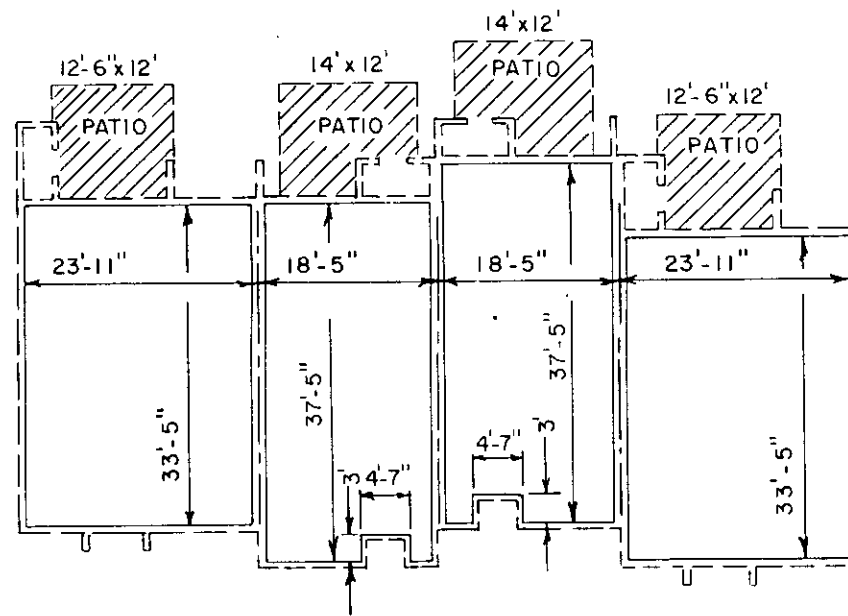


NOTES

- 1. Each residence consists, in general, of the space bounded by the undercoated and/or unfinished inner surfaces of the perimeter walls, floors, and ceilings, except the walls between adjacent residences; vertical boundary lines between adjacent residences shall be the center line of such party wall. The description of each residence is set forth in greater detail in the Master Deed.
- 2. Floor plan dimensions were taken from field measurements and architectural floor plans (by others).
- 3. All interior and exterior wall angles are 90°00' 00".



SECOND FLOOR PLAN



FIRST FLOOR PLAN

AREA PER RESIDENCE (square feet)			
NO.	FIRST FLOOR	SECOND FLOOR	TOTAL
①	799.21	799.21	1598.42
③	675.34	689.09	1364.43
⑤	675.34	689.09	1364.43
⑦	799.21	799.21	1598.42

FILED
GREENVILLE CO. S.C.
MAY 30 2 46 PM '80
DONNIE S. TANKERSLEY
R.M.C.

CERTIFICATE

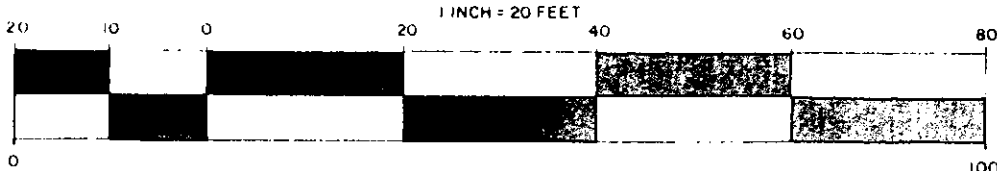
I HEREBY CERTIFY THAT THE FLOOR PLANS SHOWN ON THIS DRAWING SHOW THE DIMENSIONS, AREA, AND LOCATION OF EACH APARTMENT AND COMMON ELEMENTS AS ARE MORE FULLY SHOWN ON THE PLOT PLAN OF TRENTWOOD HORIZONTAL PROPERTY REGIME PREPARED BY ENWRIGHT ASSOCIATES, GREENVILLE, S.C. DATED

NAME: Donnie S. Tankersley
ADDRESS: _____
S.C. REGISTERED LAND SURVEYOR NUMBER 4032

LEGEND

- COMMON ELEMENT
- - - BOUNDARY BETWEEN ADJACENT RESIDENCES
- BOUNDARY OF RESIDENCE
- ▨ LIMITED COMMON ELEMENT
- [] STORAGE BUILDING

TRENTWOOD
HORIZONTAL PROPERTY REGIME
FLOOR PLANS



34691

8-A-10 ✓
MAY 30 1980

PRINTED

MAY 15 1980

ENWRIGHT
SURVEYING, INC.

FOR REVIEW

TRENTWOOD
A PORTION OF PHASE II
Horizontal Property Regime
Greenville Co., S.C.

enwright associates inc
PLS TMA TMA
GREENVILLE SOUTH CAROLINA 4-22-80 1"=20' 80532

MICROFILMED