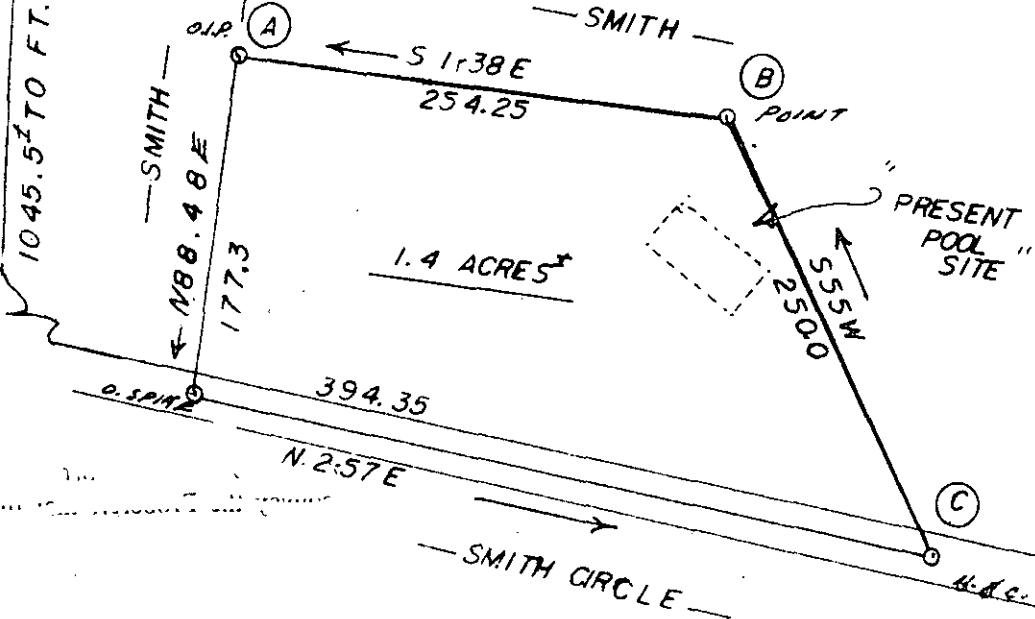


MICROFILMED

FT. INN DRIVE

MAGNETIC NORTH

1045.5' TO FT. INN DR.



— LINES "A", "B", "C", COMPUTED
 — CITY WATER ACCESSIBLE

FILED
 GREENVILLE CO. S. C.
 MAY 2 4 50 PM '80
 DONNIE S. TANKERSLEY
 R.M.C.

32239

7-2-60

MAY 2 1980

PREPARED AT THE REQUEST OF:		
HAYWARD SMITH		
SCALE: 1"=100'	APPROVED BY: <i>[Signature]</i>	DRAWN BY: JKL.M.
DATE: 1-12-79		REVISION:
NEAR FT. INN, S.C.		GREENVILLE COUNTY
3.00 M		DRAWING NUMBER: