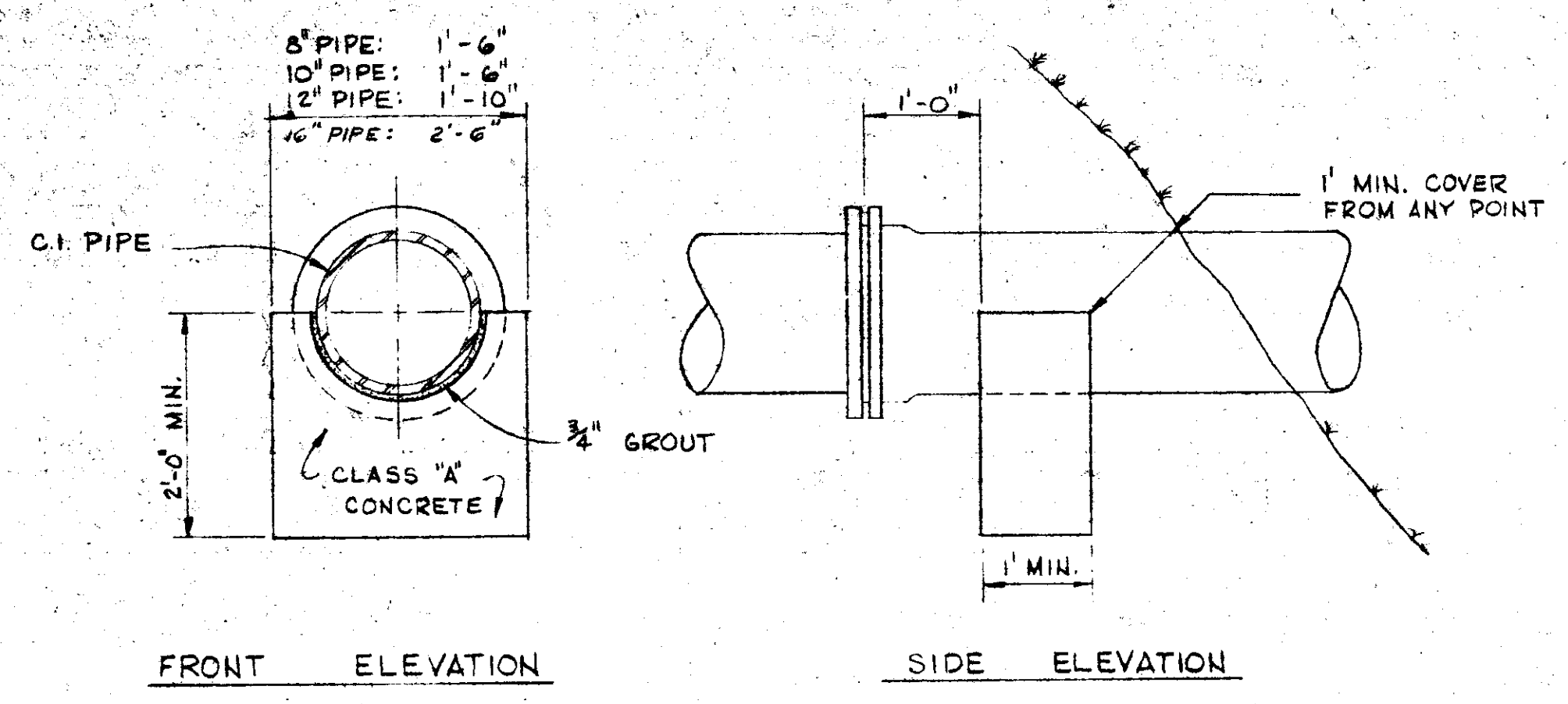


PLAN

DIMENSIONS FOR CONC. PIERS

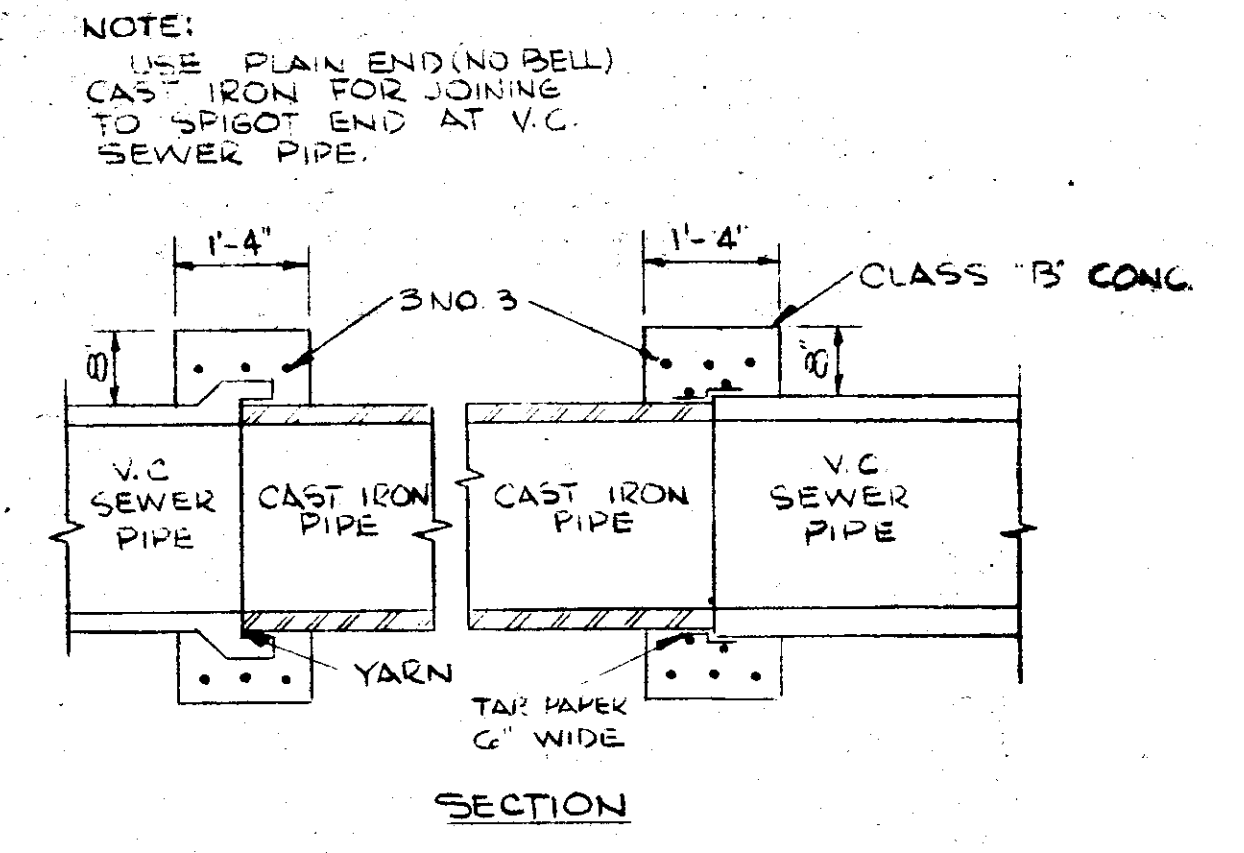
H	W	L
0' - 5'	3' - 6"	2' - 6"
5' - 10'	4' - 0"	2' - 10"
10' - 15'	4' - 6"	3' - 0"
15' - 20'	5' - 0"	3' - 6"



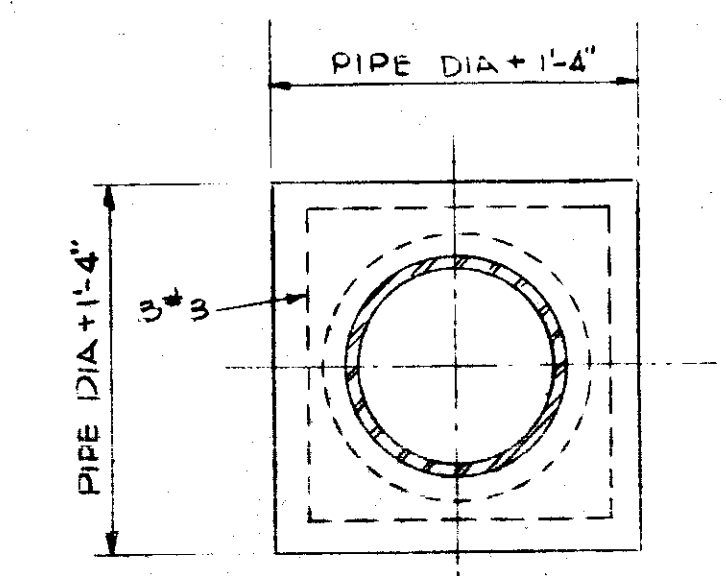
FRONT ELEVATION SIDE ELEVATION

CONCRETE PIERS FOR C.I. PIPE AT POINT WHERE PIPE

LEAVES PROTECTIVE EARTH COVERING  
NO SCALE

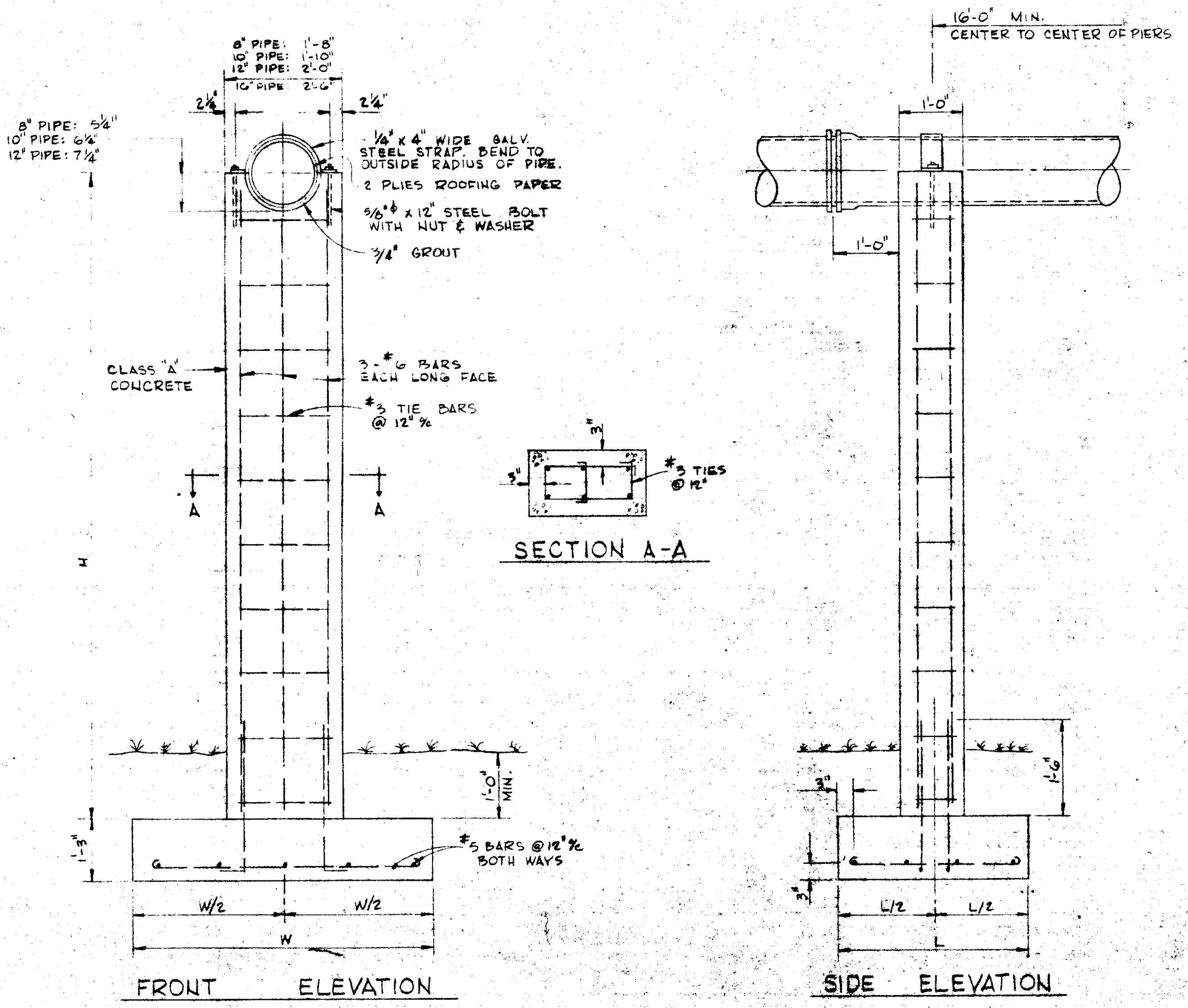


SECTION



ELEVATION

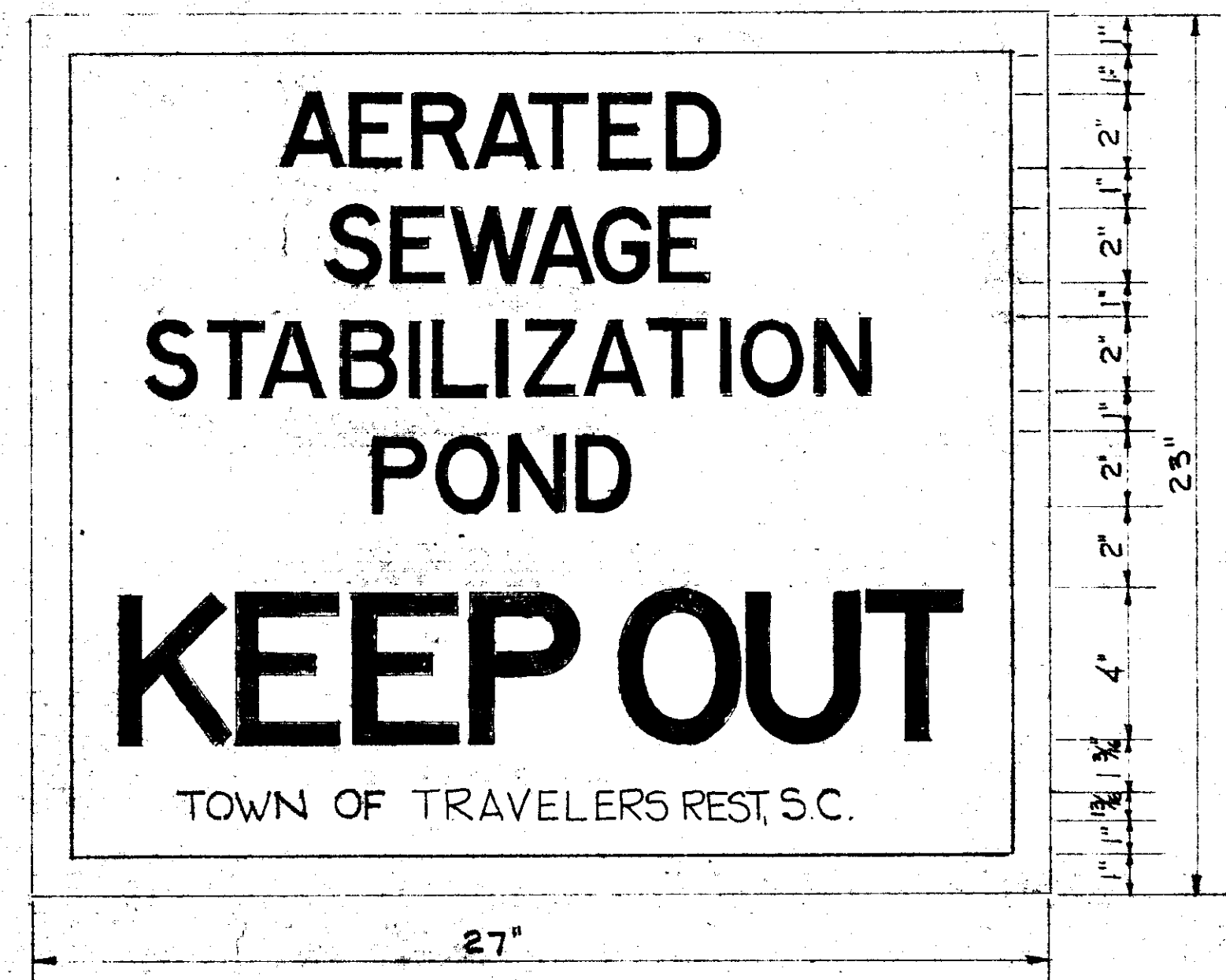
DETAIL OF CONCRETE COLLAR  
JOINING C.I. PIPE TO V.C. SEWER PIPE  
NOTE TO SCALE



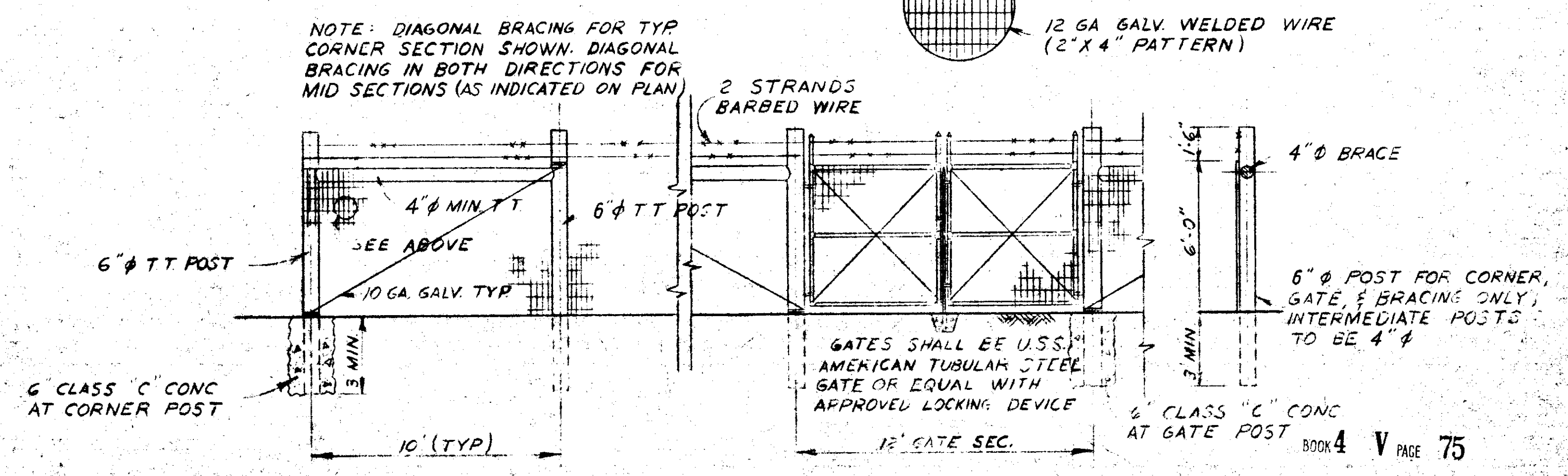
FRONT ELEVATION

SIDE ELEVATION

DETAILS OF CONCRETE PIERS  
SCALE: 3/4"=1'-0"



DETAIL OF SIGN TO BE ATTACHED TO FENCE FOUR SIDES OF LAGOONS. THE SIGN SHALL BE CONSTRUCTED OF 3/4" MARINE PLYWOOD WITH WHITE BACKGROUND AND BLACK BORDER AND LETTERS. OMIT WORD AERATED ON WEST LAGOON.



NOTE: DIAGONAL BRACING FOR TYP CORNER SECTION SHOWN. DIAGONAL BRACING IN BOTH DIRECTIONS FOR MID SECTIONS (AS INDICATED ON PLAN)

TYPICAL FENCE DETAIL

TO BE PLACED AROUND PERIMETER OF ALL TREATMENT FACILITIES

NOT TO SCALE

PRINTED

DEC 1 1970

DAVIS AND FLOYD ENGINEERS, INC. CONSULTING ENGINEERS GREENWOOD, S. C. ATLANTA, GA.	OWNER TOWN OF TRAVELERS REST, SOUTH CAROLINA	TITLE DETAILS - CONCRETE PIERS FENCE AND SIGN	DESIGNED: P.R.F.	SCALE: AS SHOWN	CONTRACT NO. 294
			DRAWN:	DATE: JULY 1968	SH. 16 OF 43
			CHECKED:	REVISIONS	
			APPROVED:	BY:	