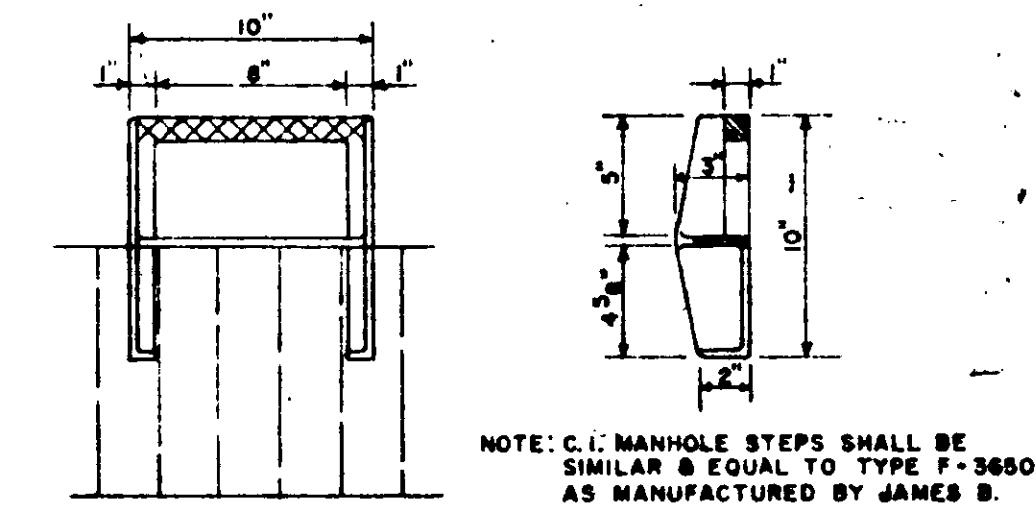
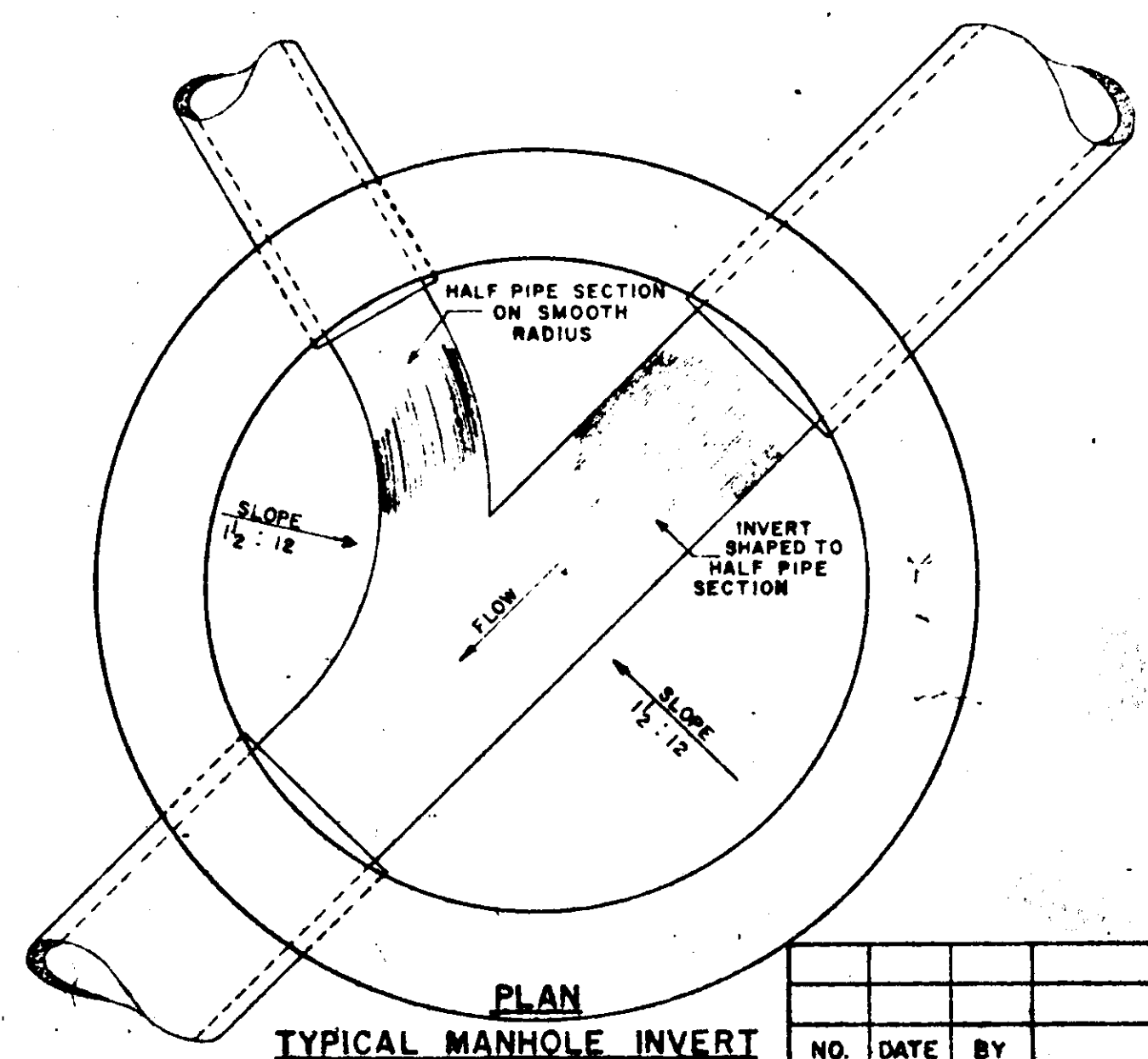
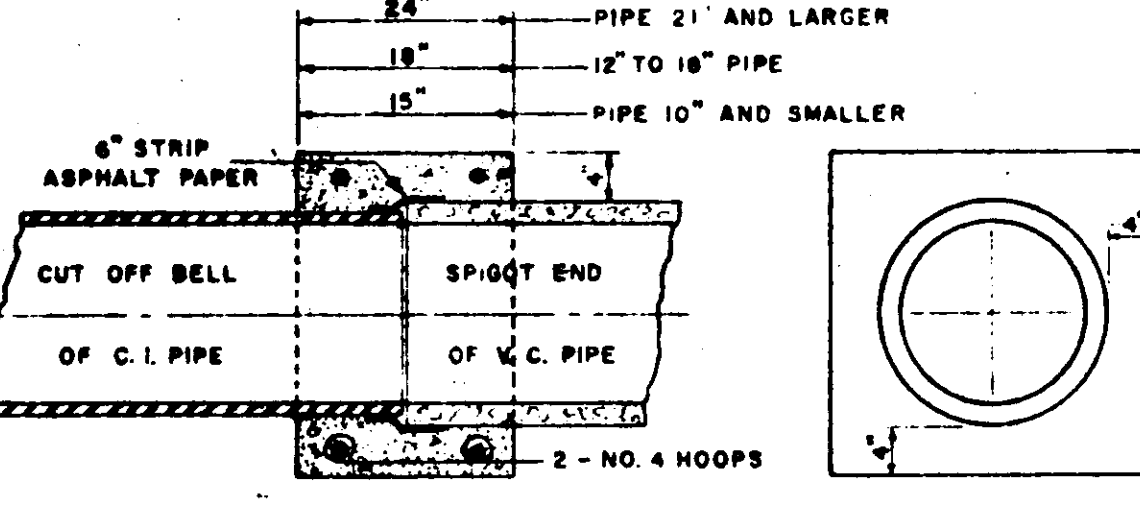
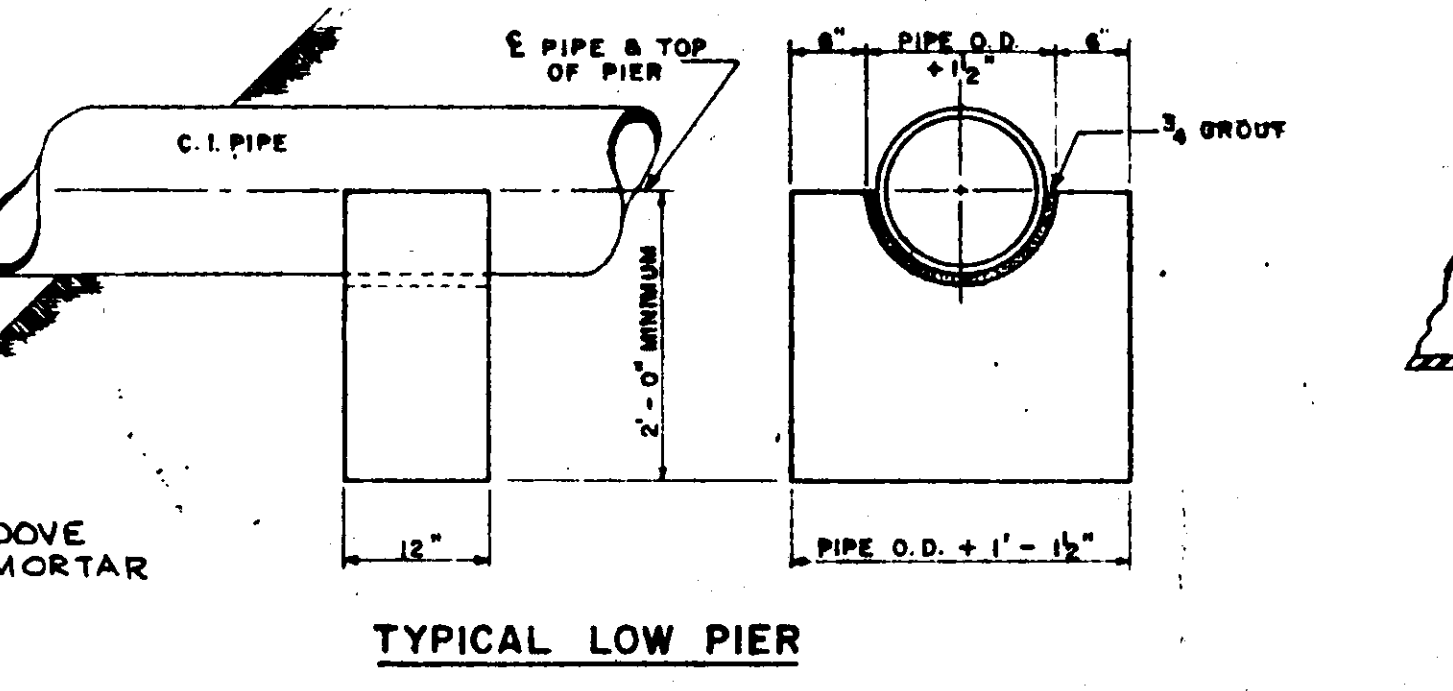
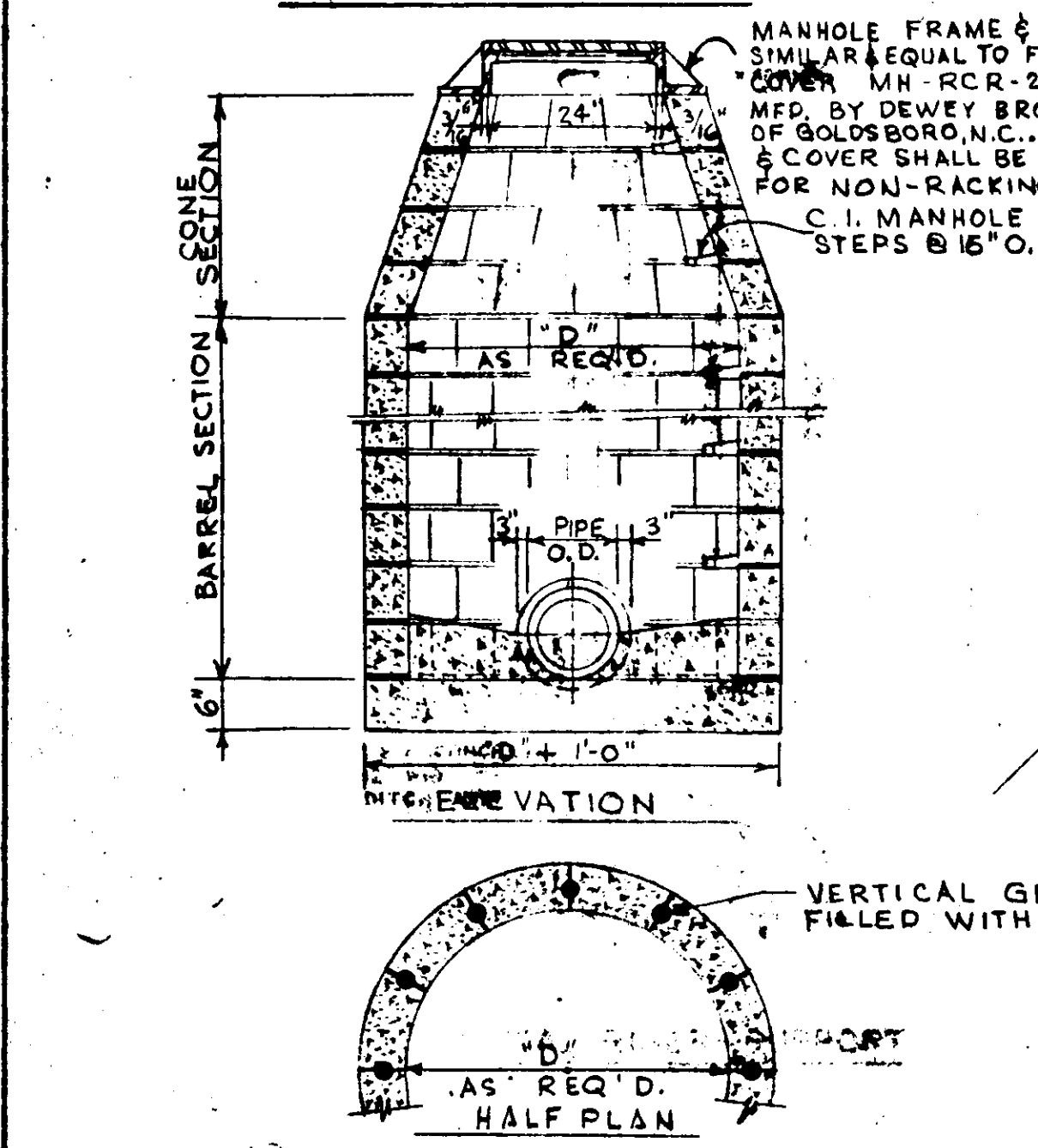
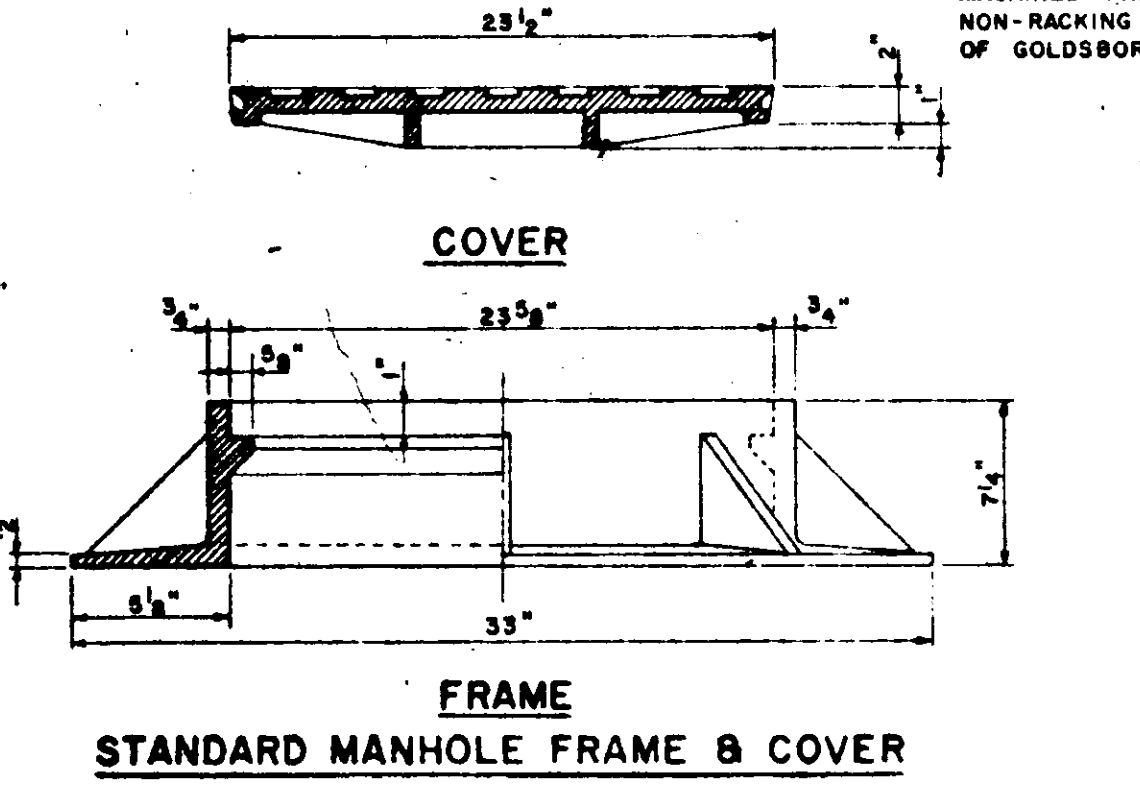
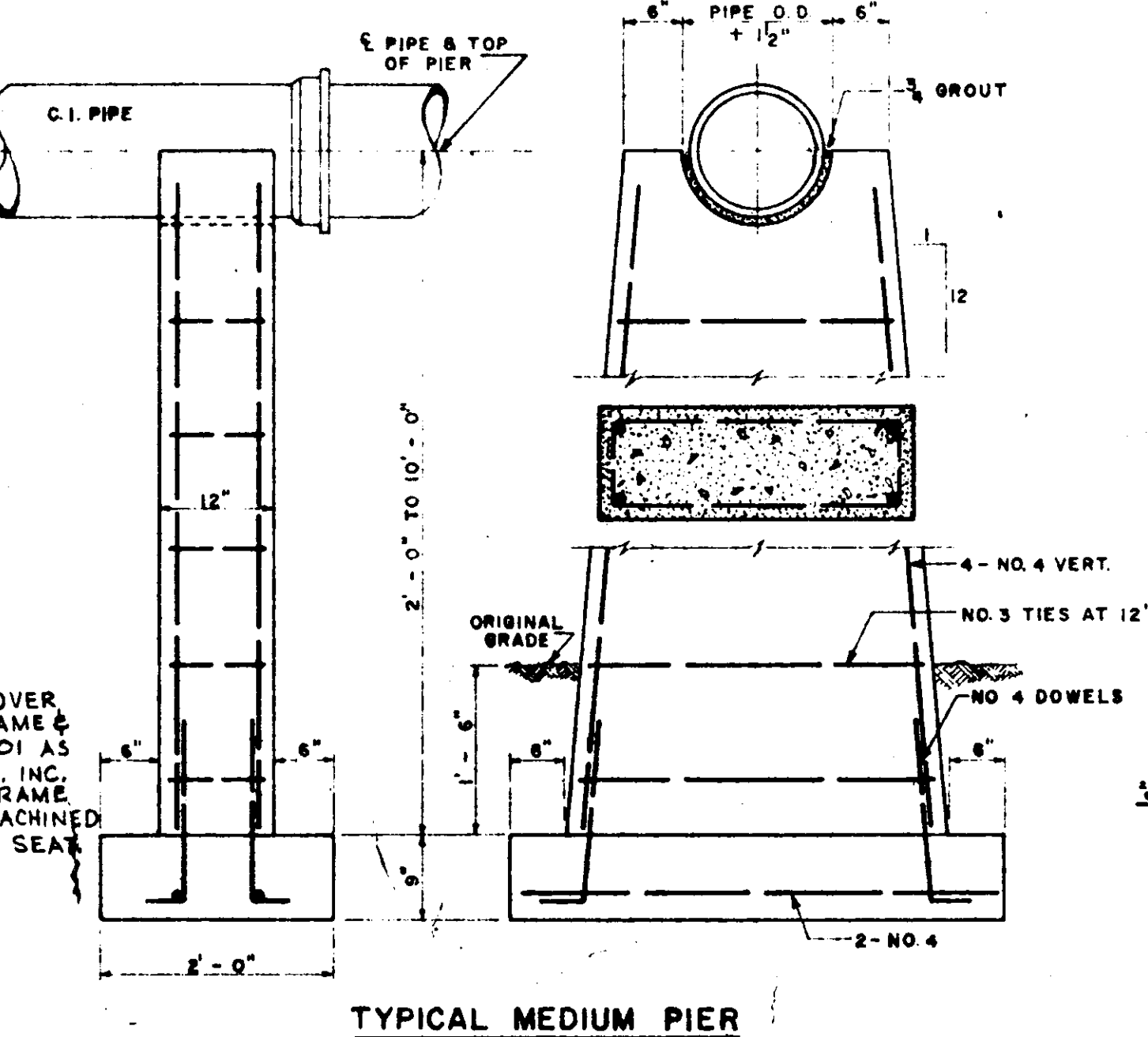
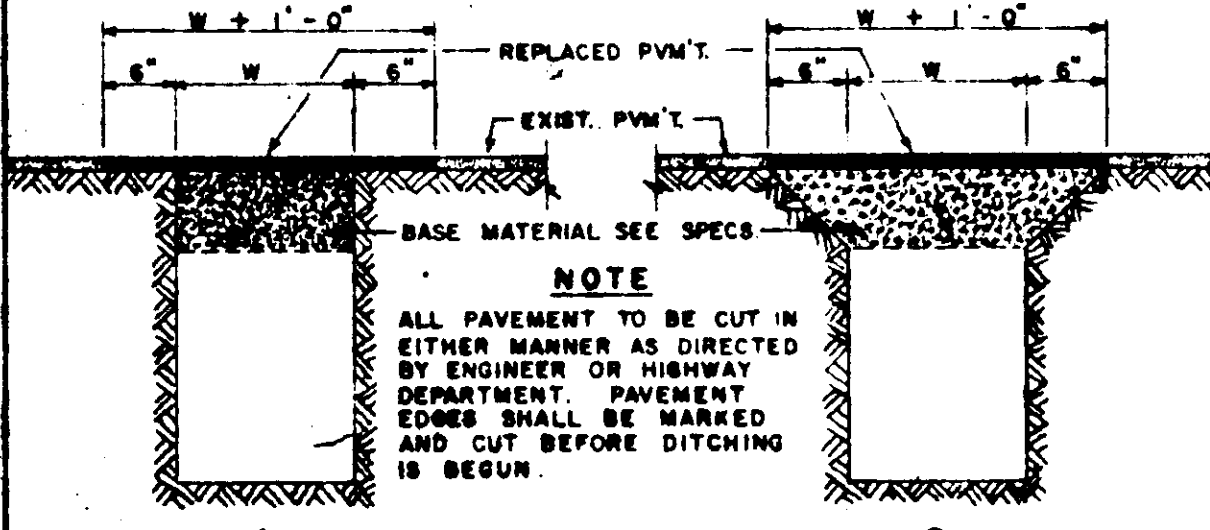
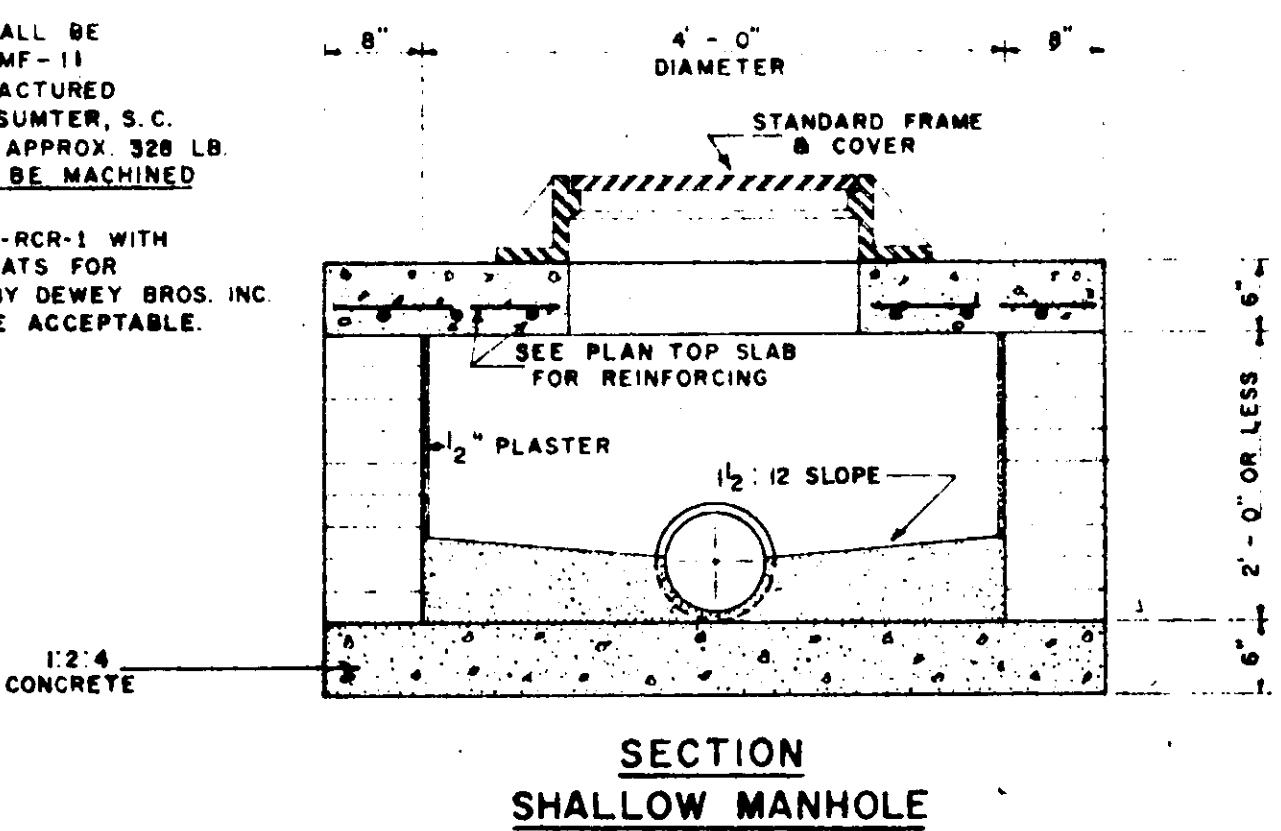
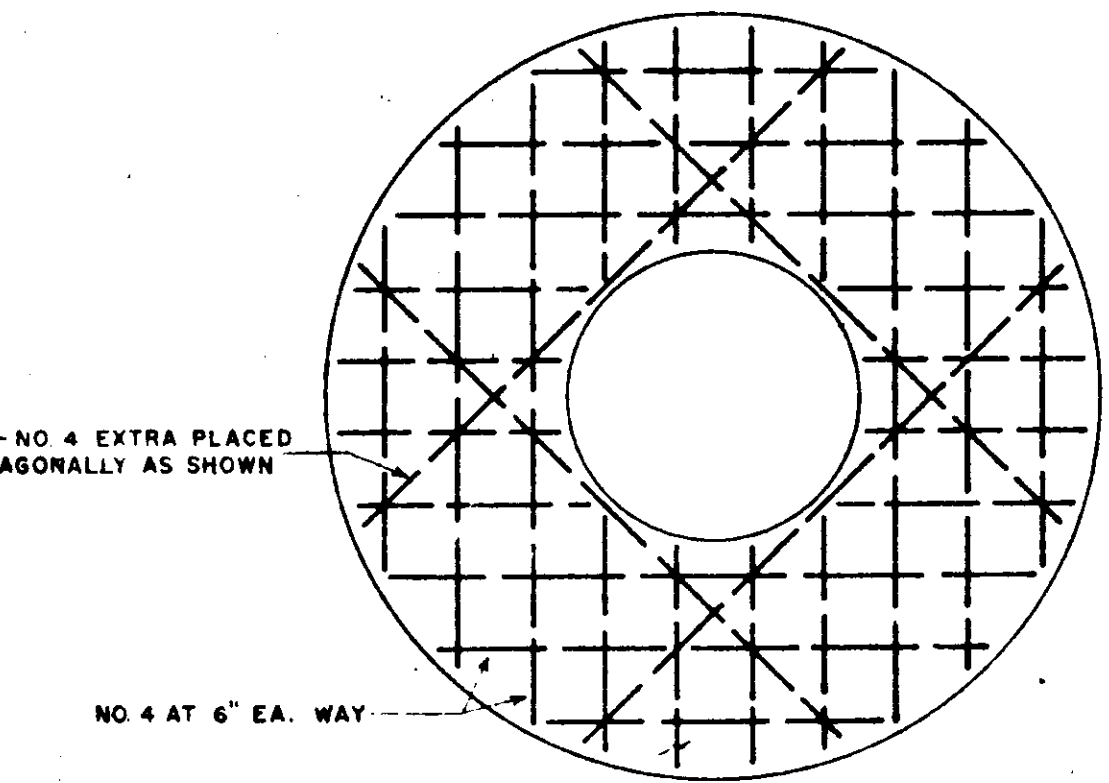
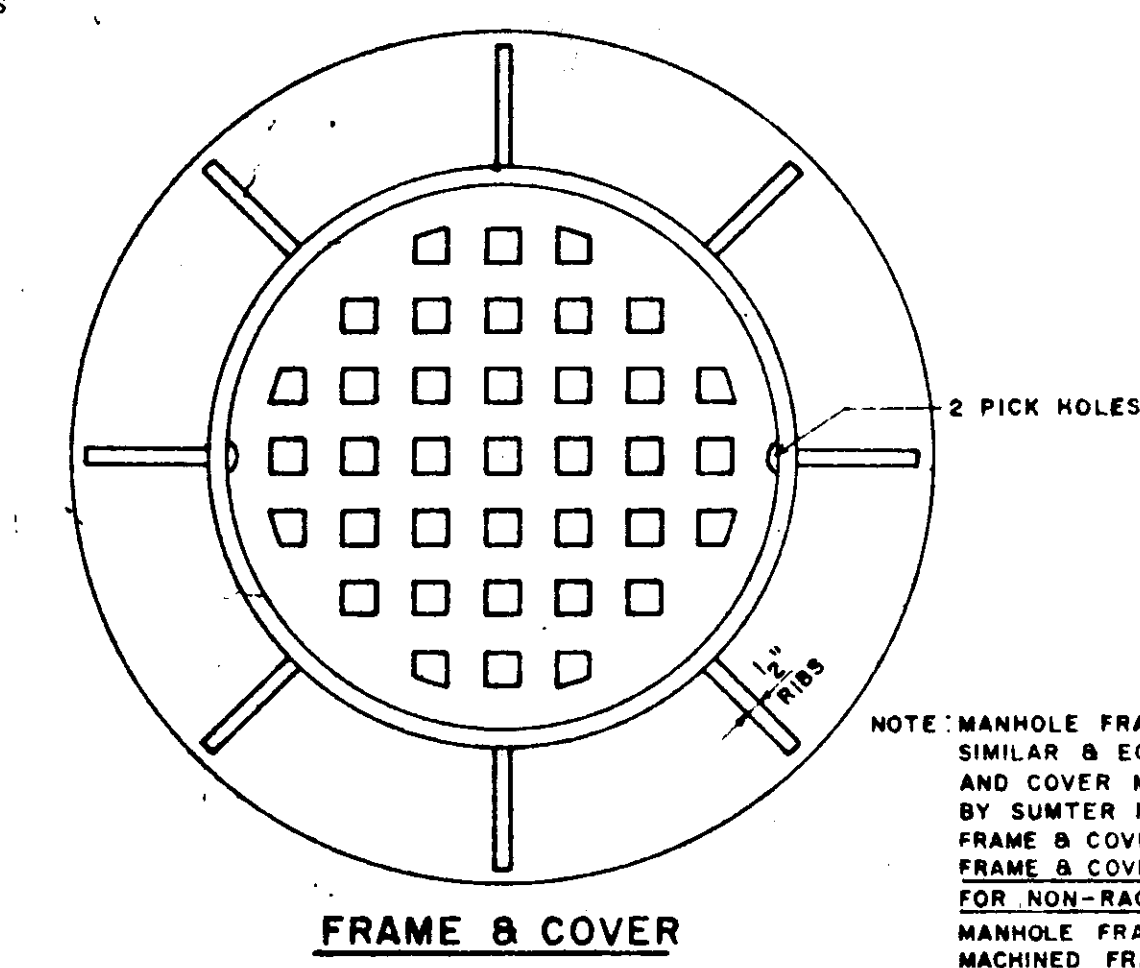
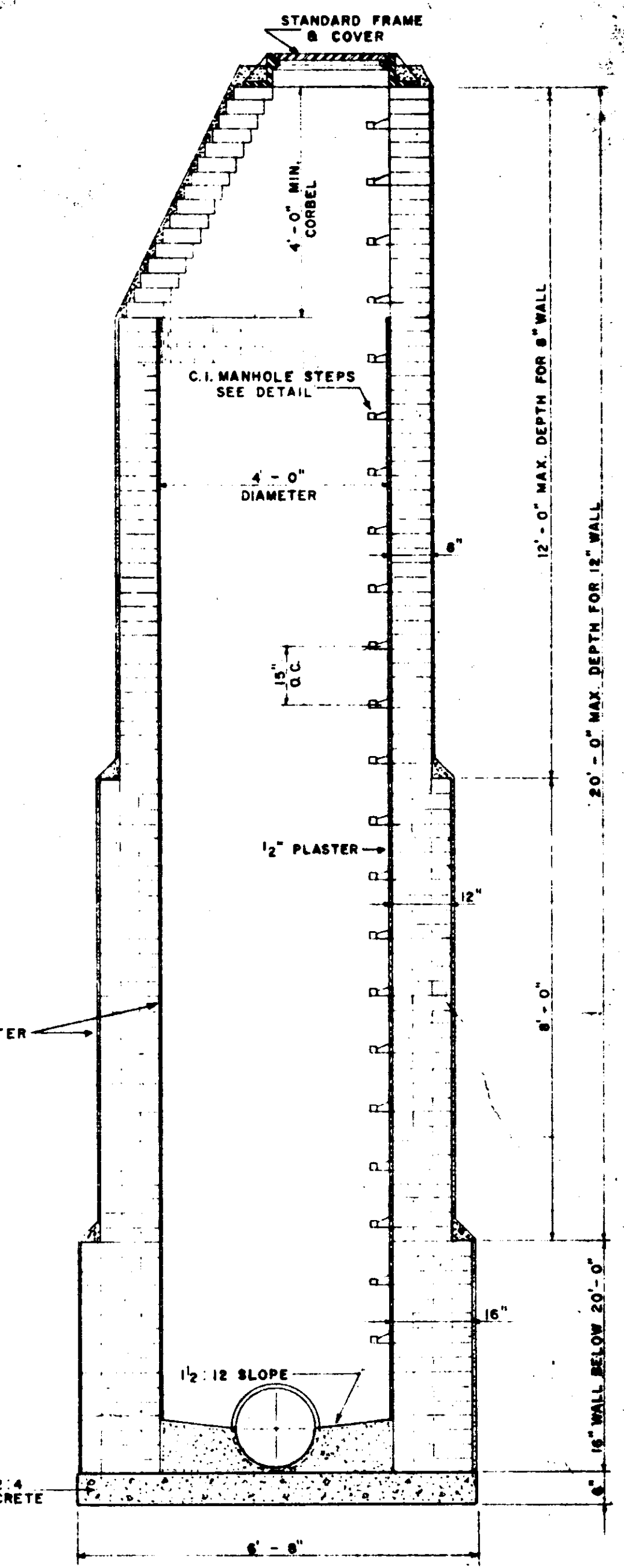
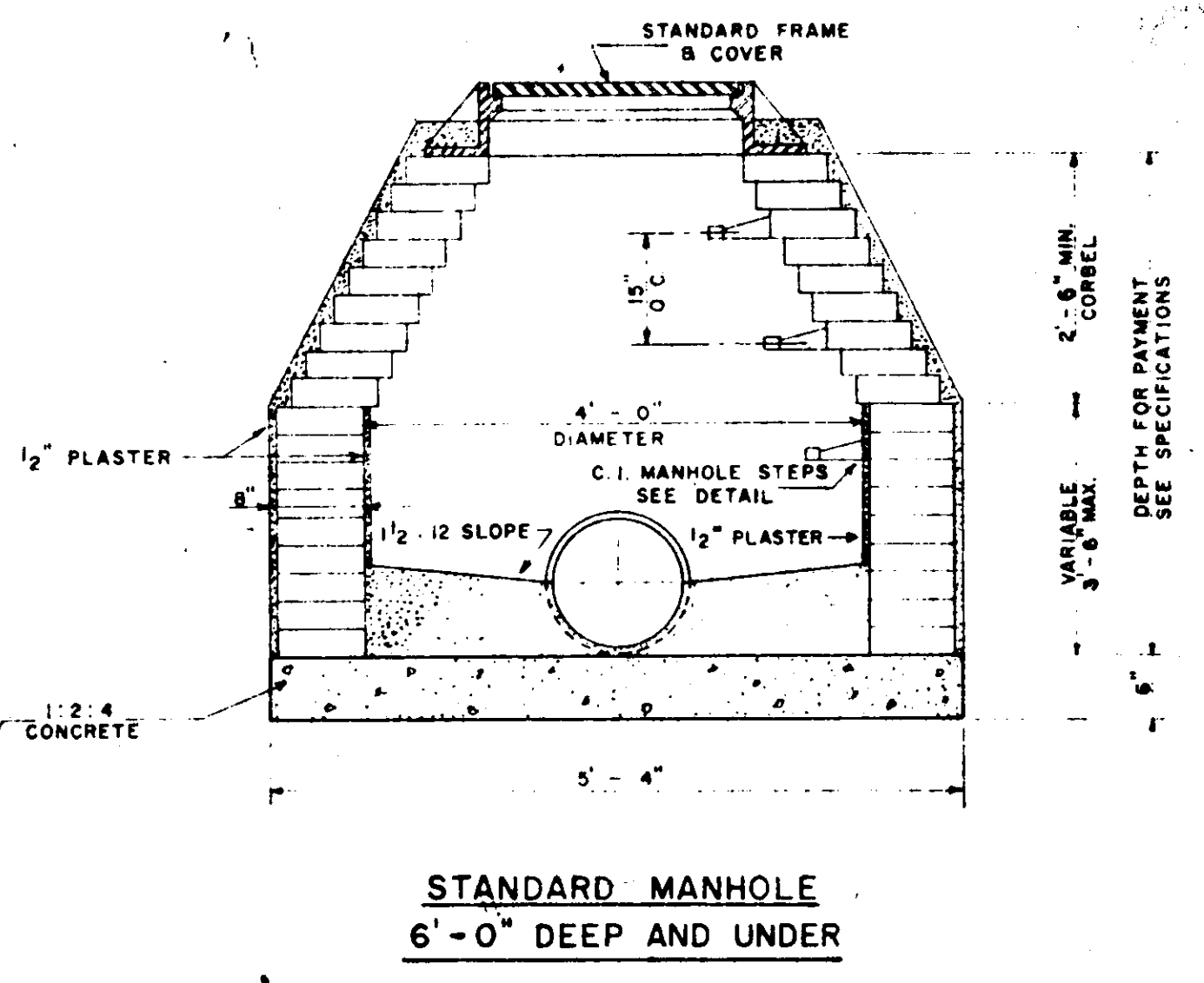
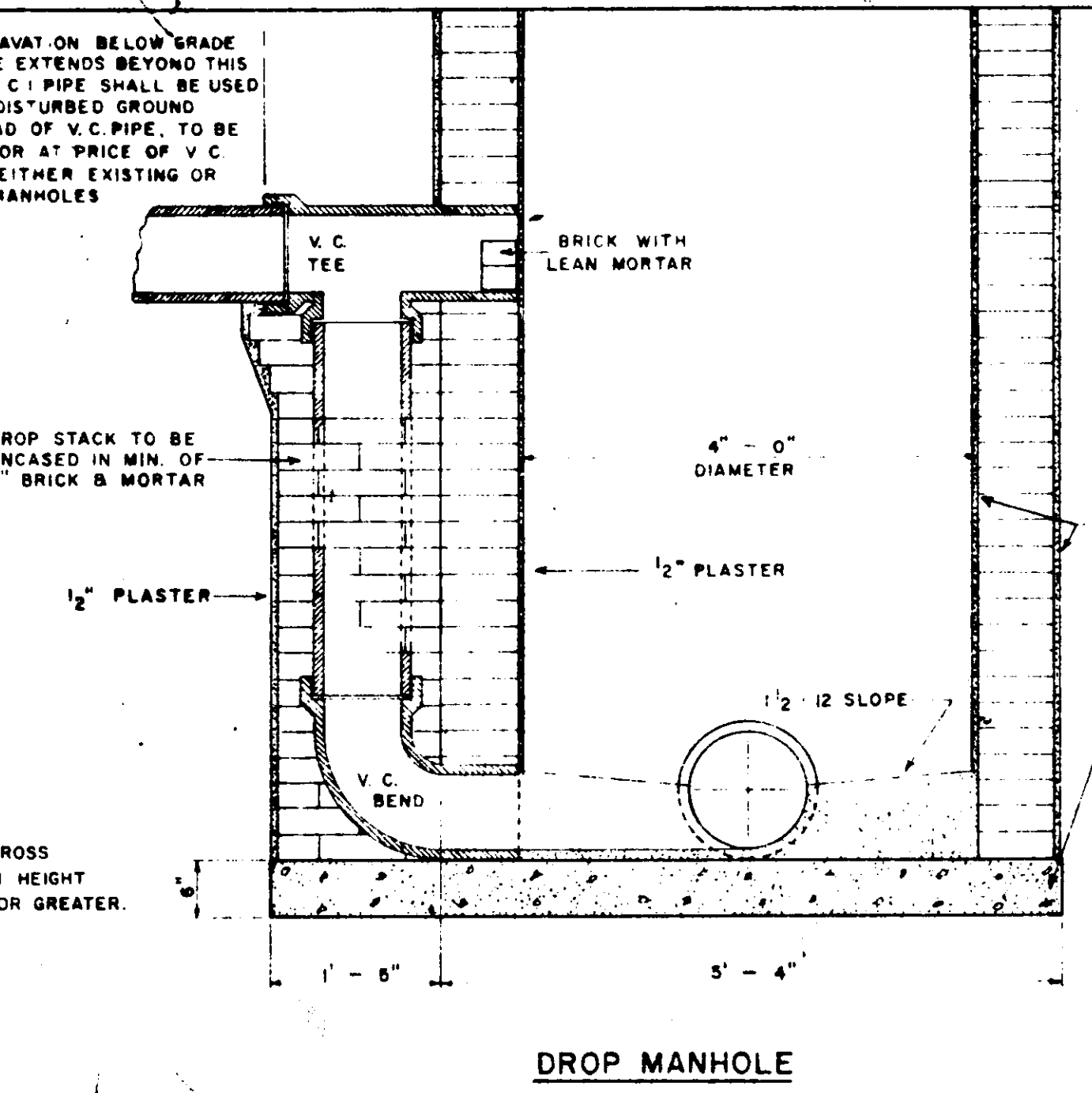
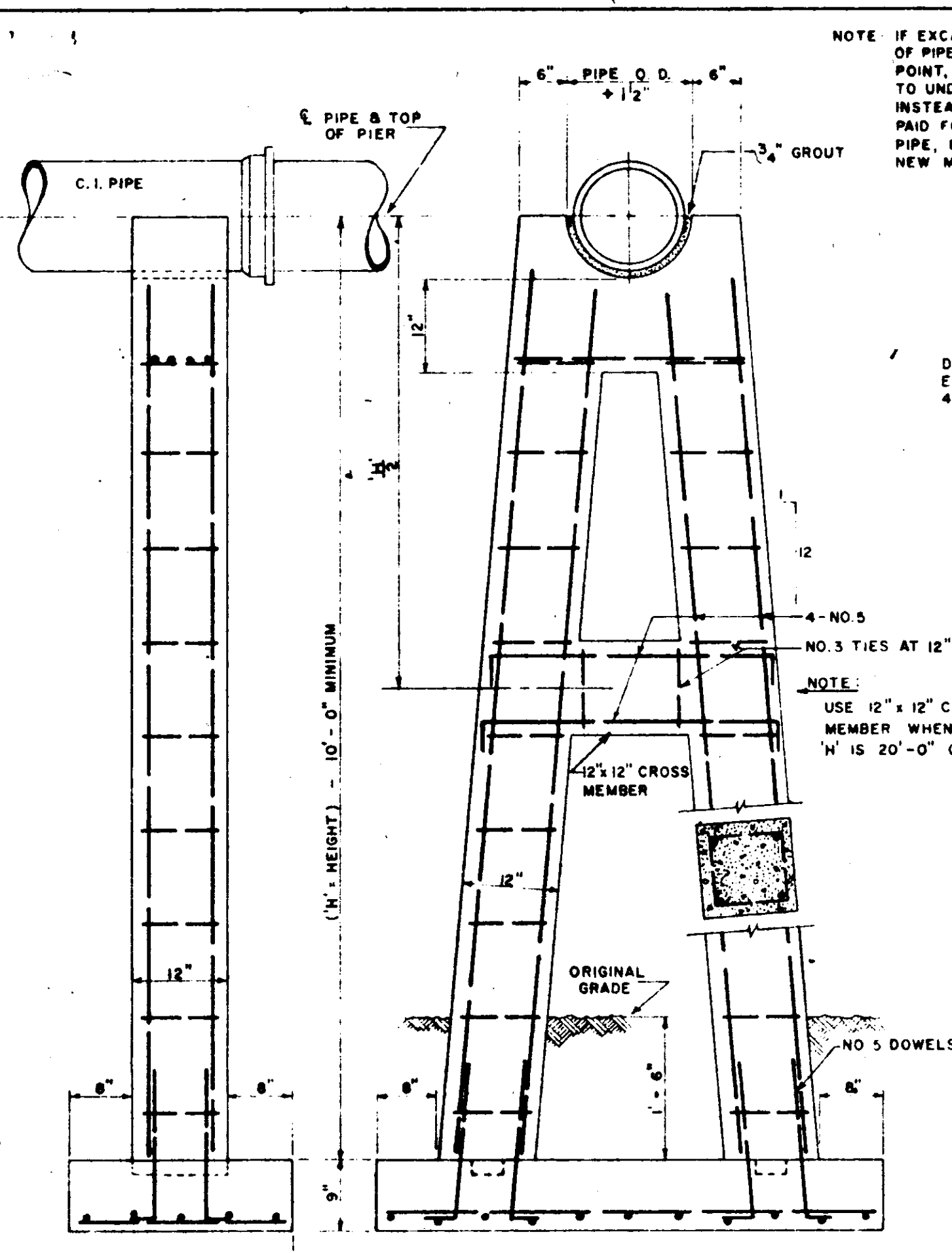
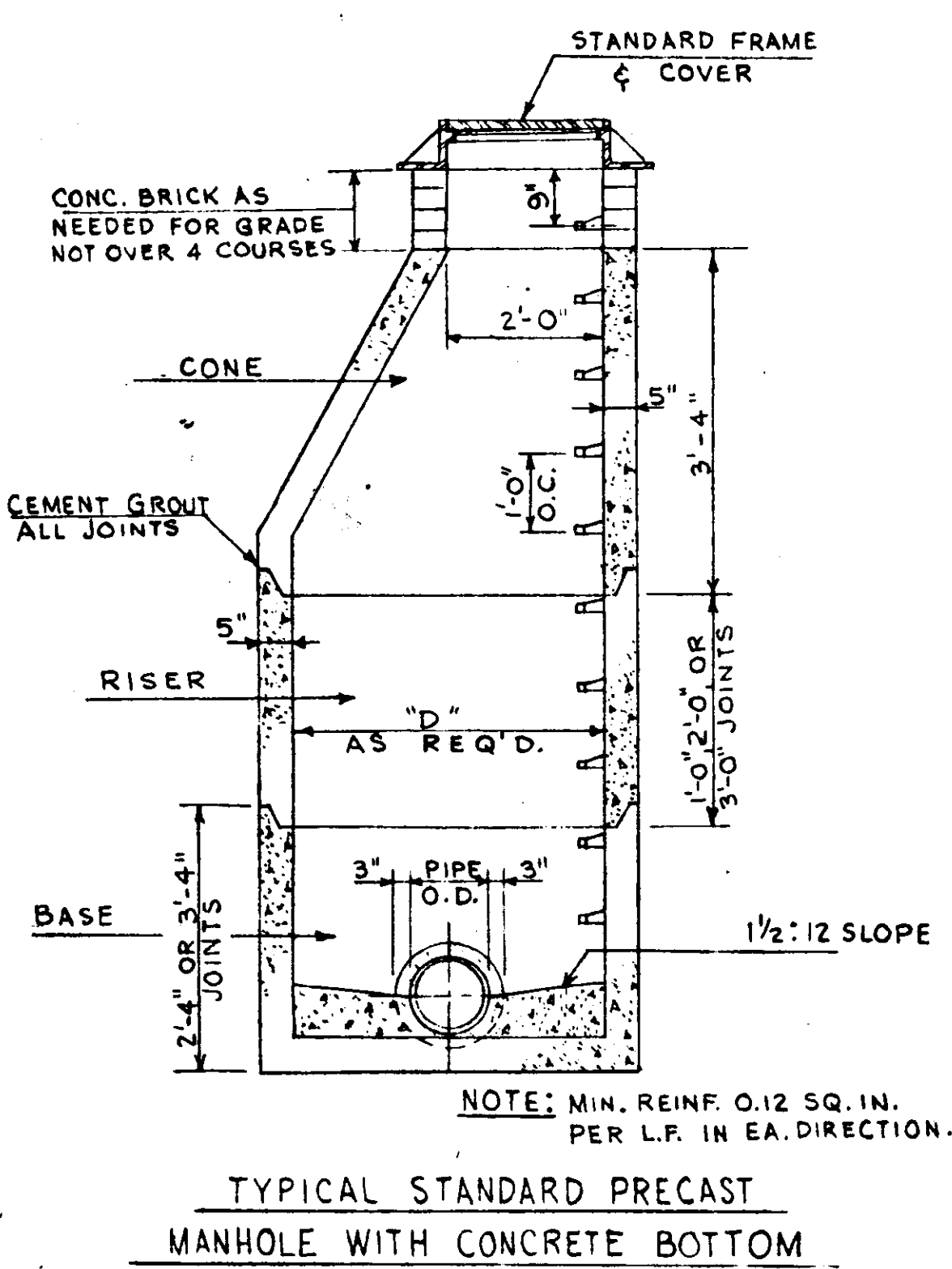


NOTE: IF EXCAVATION BELOW GRADE OF PIPE EXTENDS BEYOND THIS POINT, C.I. PIPE SHALL BE USED TO UNDISTURBED GROUND INSTEAD OF V.C. PIPE. TO BE PAID FOR AT PRICE OF V.C. PIPE, EITHER EXISTING OR NEW MANHOLES

NOTE: USE 1/2" x 12" CROSS MEMBER WHEN HEIGHT 'H' IS 20'-0" OR GREATER.

NOTE: MANHOLE FRAME & COVER SHALL BE SIMILAR & EQUAL TO FRAME MF-11 AND COVER MC-14 AS MANUFACTURED BY SUMTER MACHINERY CO., SUMTER, S.C. FRAME & COVER SHALL WEIGH APPROX. 328 LB. FRAME & COVER SEATS SHALL BE MACHINED FOR NON-RACKING SEAT. MANHOLE FRAME & COVER MH-RCR-1 WITH MACHINED FRAME & COVER SEATS FOR NON-RACKING SEAT AS MFG. BY DEWEY BROS. INC. OF GOLDSBORO, N.C. WILL BE ACCEPTABLE.

NOTE: C.I. MANHOLE STEPS SHALL BE SIMILAR & EQUAL TO TYPE F-3650 AS MANUFACTURED BY JAMES B. CLOW & SONS, STEPS SHALL BE SIMILAR & EQUAL TO TYPE F-3660 AS MFG. BY J.B. CLOW & SONS IF CONC. BLOCK MANHOLES ARE USED.



DIVISION I & II
BOOK 4 PAGE 20

PIEDMONT SEWER AND LIGHT DISTRICT
SANITARY WASTE IMPROVEMENTS

STANDARD STRUCTURES FOR SANITARY SEWERS

THE HARWOOD BEEBE COMPANY
CONSULTING ENGINEERS
SPARTANBURG, S. C.

SCALE: NOT TO SCALE	PROJECT NO. 6205
DATE: JANUARY, 1966	DRAWING NO. 9 OF 39
DRAWN BY: W.F.R.	APPROVED BY: A.W.S.
NO. DATE BY	REVISION

FILE NO. P-65-46-3