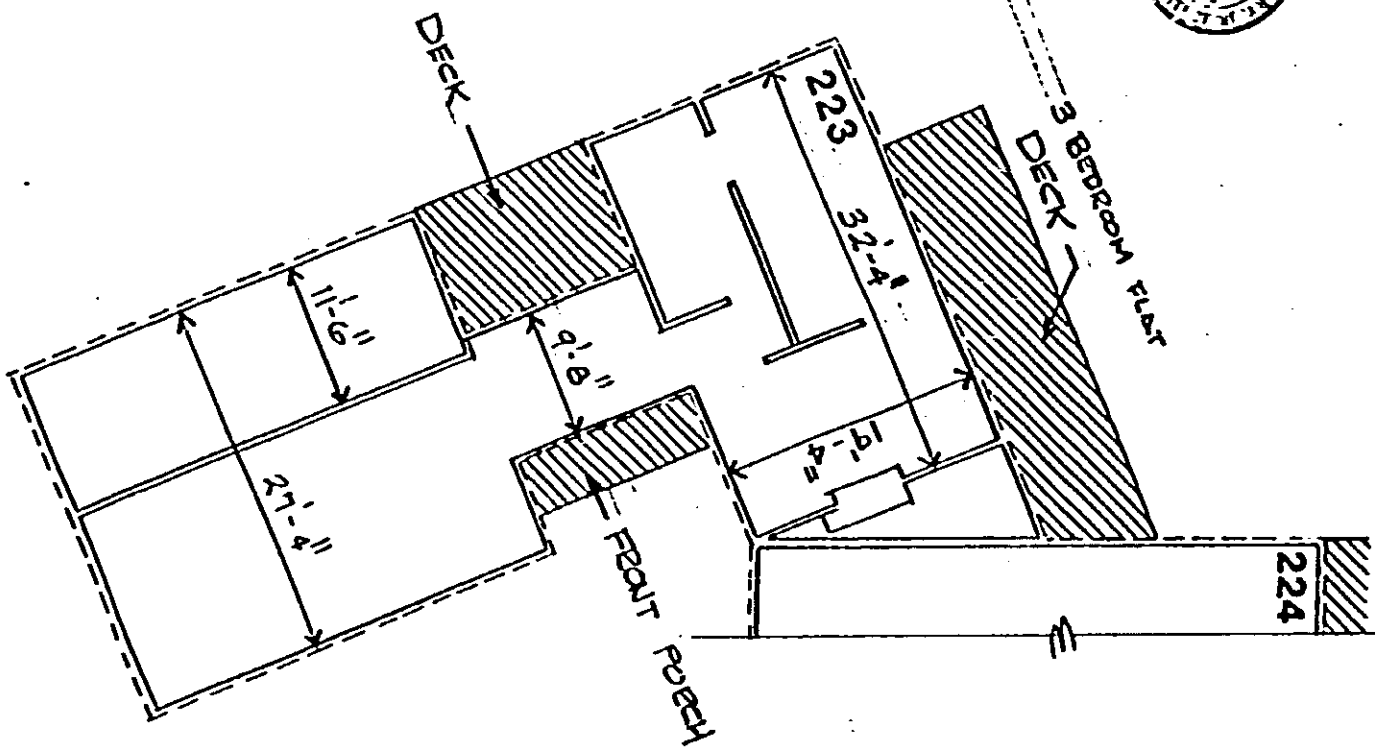
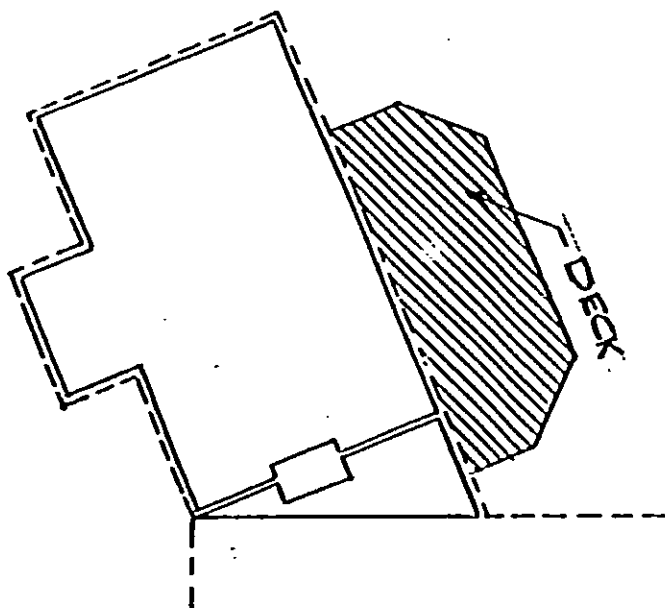
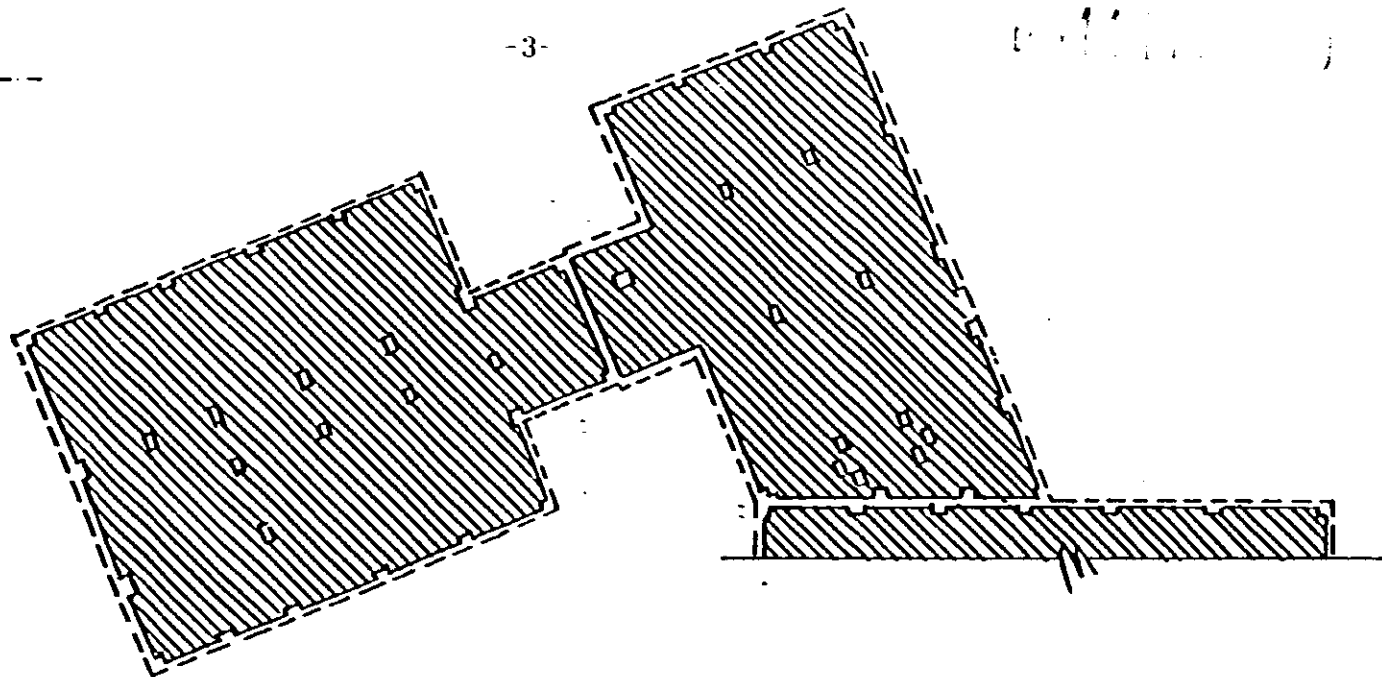


NO. 223 FOUND. PLAN

LOWER FL. PLAN

MAIN FL. PLAN

--- LIMITED COMMON ELEMENTS
- - - GENERAL COMMON ELEMENTS



I, Charles F. Gentry, Jr., hereby certify that the within floor plans are true and correct to the best of my knowledge.
Charles F. Gentry, Jr.
Charles F. Gentry, Jr., A.I.A.
South Carolina Registration No. 994



INGLESIDE HORIZONTAL PROPERTY REGIME

CHARLES F. GENTRY A.I.A. ARCHITECT

GREENVILLE

SOUTH CAROLINA

2

3-16-81

4328 RV-2

0480