

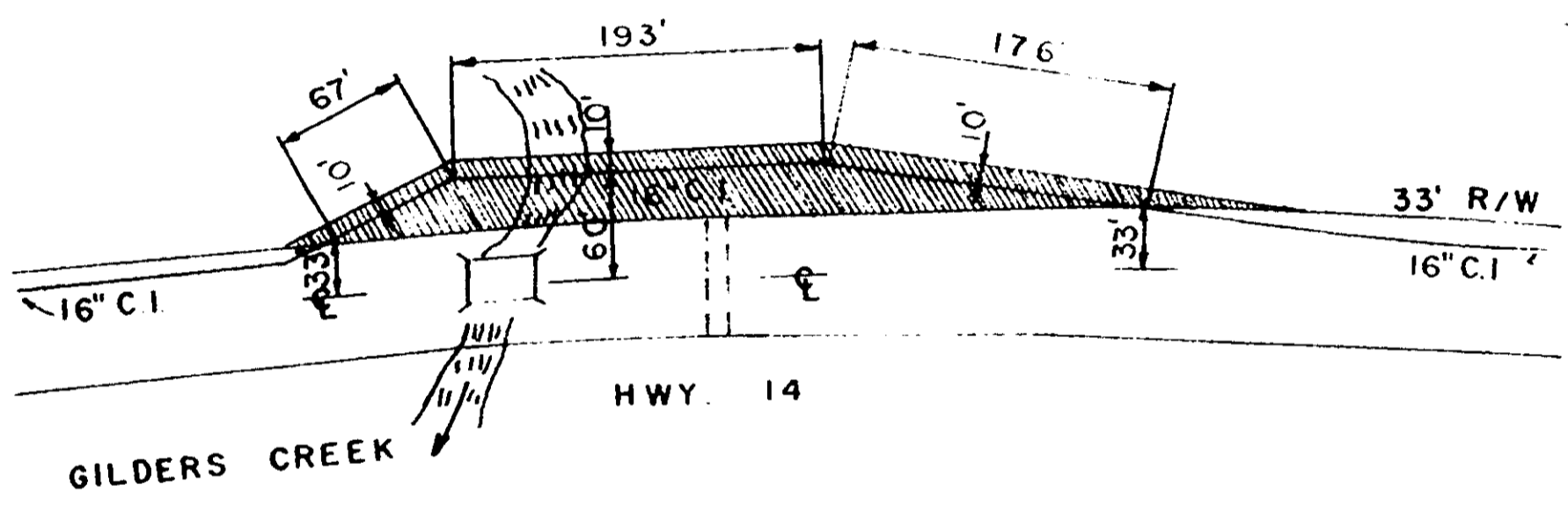
REV 70

VOL 997 PAGE 475



SCALE 1" = 100'

BLOCK BOOK 542.1-1-27
542.2-1-10



WATER LINE RIGHT OF WAY
DEC., 1973

Holly Tree Plantation
to
Commissioners of Public Works
of the City of Greenville, S. C.
December 26, 1973

RECORDED APR 1974

26353

REV 70